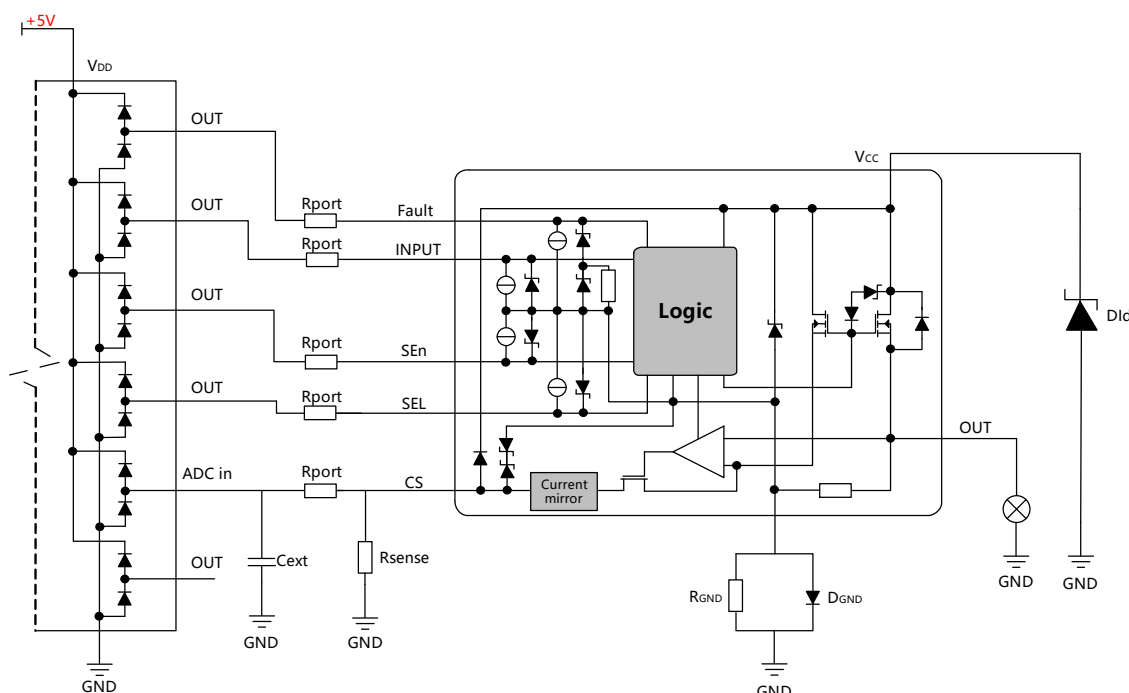


Features	General Description
----------	---------------------

- | | |
|---|---|
| <ul style="list-style-type: none"> ◆ Operating voltage range: 4.5V to 28V ◆ Load current limitation ◆ Output short-circuit protection ◆ Standby current <math>< 1.0\mu\text{A}</math> ◆ On-state resistance $\text{Typ}=30\text{m}\Omega$ ◆ Thermal shutdown indication ◆ OFF-state open-load detection ◆ Overvoltage clamp ◆ Undervoltage protection ◆ Multiplexed analog feedback of: load current with high precision proportional current mirror, V_{CC} supply voltage and T_{CHIP} device temperature ◆ RoHS compliant and lead free ◆ AEC-Q100 qualified | <ul style="list-style-type: none"> ◆ WS7025AD is single channel high-side drivers with current sense analog feedback for automotive applications, the devices are designed to drive 12 V automotive grounded loads through a 3 V and 5 V. ◆ WS7025AD integrates advanced protective functions such as load current limitation, overload active management by power limitation and overtemperature shutdown with configurable latch-off. A Fault pin unlatches the output in case of fault or disables the latch-off functionality. ◆ A dedicated multifunction multiplexed analog output pin delivers sophisticated diagnostic functions including high precision proportional load current sense, supply voltage feedback and chip temperature sense, in addition to the detection of overload and short circuit to ground, short to V_{CC} and OFF-state open-load. ◆ A sense enable pin allows OFF-state diagnosis to be disabled during the module low power mode as well as external sense resistor sharing among similar devices. ◆ WS7025AD is available in DFN5\times6-16L package. |
|---|---|

- | Application |
|---|
| <ul style="list-style-type: none"> ◆ All types of automotive resistive, inductive and capacitive loads ◆ Specially intended for automotive signal lamps |

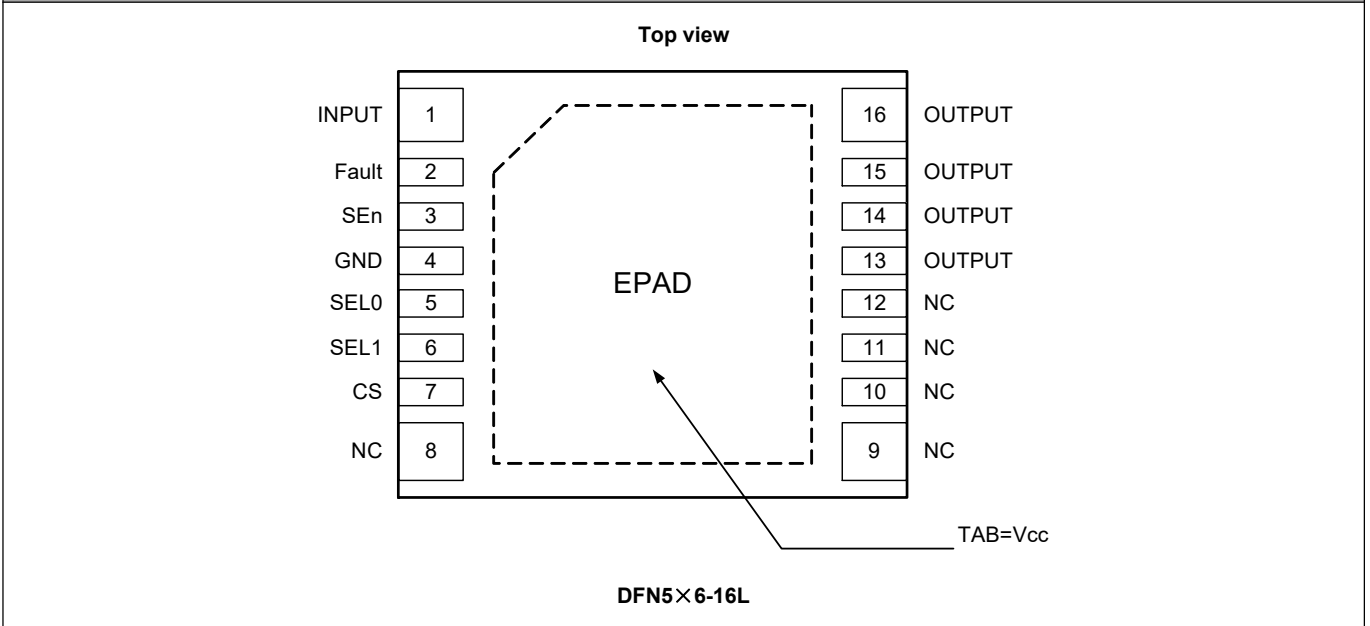
Typical Application Circuit



Ordering Information

Package	Top Mark	Part No.
16-Pin DFN5×6-16L, Pb-free	WS7025AD XXYMXX	WS7025AD

Pin Configuration



Pin Description

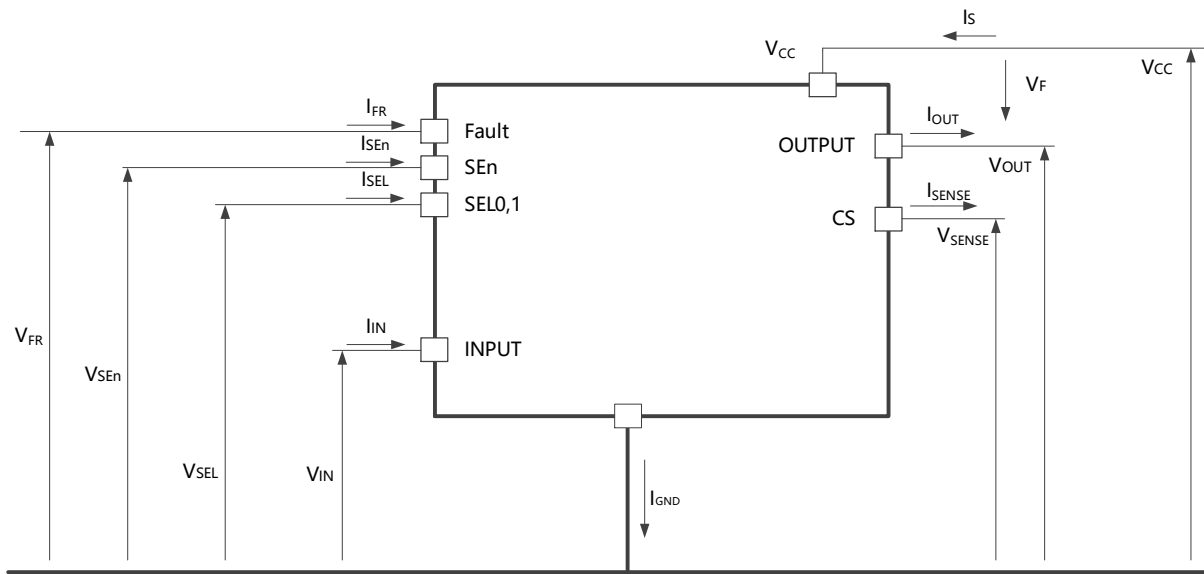
Pin Name	Pin NO.	Pin Description
INPUT	1	Voltage controlled input pin with hysteresis, compatible with 3 V and 5 V CMOS outputs. It controls output switch state.
Fault	2	Active low compatible with 3 V and 5 V CMOS outputs pin, it unlatches the output in case of fault; If kept low, sets the outputs in auto-restart mode.
SEn	3	Active high compatible with 3 V and 5 V CMOS outputs pin, it enables the CS diagnostic pin.
GND	4	Ground connection. Must be reverse battery protected by an external diode / resistor network.
SEL0	5	Active high compatible with 3 V and 5 V CMOS outputs pin; they address the CS multiplexer.
SEL1	6	
CS	7	Multiplexed analog sense output pin; it delivers a current proportional to the selected diagnostic: load current, supply voltage or chip temperature.
OUTPUT	13/14/15/16	Power outputs.
NC	8/9/10/11/12	No connect.
V _{cc}	EPAD	Battery connection.

Table 1. Suggested connections for unused and not connected pins

Connection / pin	CS	NC	OUTPUT	INPUT	SEn, SEL0/1, Fault
Floating	Not allowed	X ⁽¹⁾	X	X	X
To ground	Through 1K resistor	X	Not allowed	Through 15K resistor	Through 15K resistor

Note1: X do not care.

Current and Voltage Conventions



Note2: $V_F = V_{OUT} - V_{CC}$ during reverse battery condition.

Absolute Maximum Ratings (Note3)

Symbol	Parameter	Value	Unit
V _{CC}	DC supply voltage (T _J ≥ 25°C)	35	V
-V _{CC}	Reverse DC supply voltage	0.3	V
-I _{GND}	DC reverse ground pin current	200	mA
I _{OUT}	OUTPUT DC output current	Internally limited	A
V _{IN} , V _{SEn} , V _{SEL} , V _{Fault}	INPUT, SE _n , SEL _{0,1} , Fault DC input voltage	-0.3 to 6.0	V
I _{SENSE}	CS pin DC output current	20	mA
	CS pin DC output current in reverse	-20	
T _j	Junction operating temperature	-40 to 150	°C
T _{stg}	Storage temperature	-55 to 150	

Note3: Stressing the device above the rating listed in Absolute maximum ratings may cause permanent damage to the device. These are stress ratings only and operation of the device at these or any other conditions above those indicated in the operating sections of this specification is not implied.

Exposure to the conditions in table below for extended periods may affect device reliability.

ESD Susceptibility (Note4)

Symbol	Parameter	Values	Unit
V _{ESD(HBM)} ³⁾	ESD Susceptibility all Pins (HBM)	±2	kV
V _{ESD(HBM)_OUT}	ESD Susceptibility OUT vs GND and V _{CC} connected (HBM)	±4	kV
V _{ESD(CDM)} ⁴⁾	ESD Susceptibility all Pins (CDM)	±500	V
V _{ESD(CDM)_CRN}	ESD Susceptibility Corner Pins (CDM) (pins 1, 8, 9, 16)	±750	V

Note4:

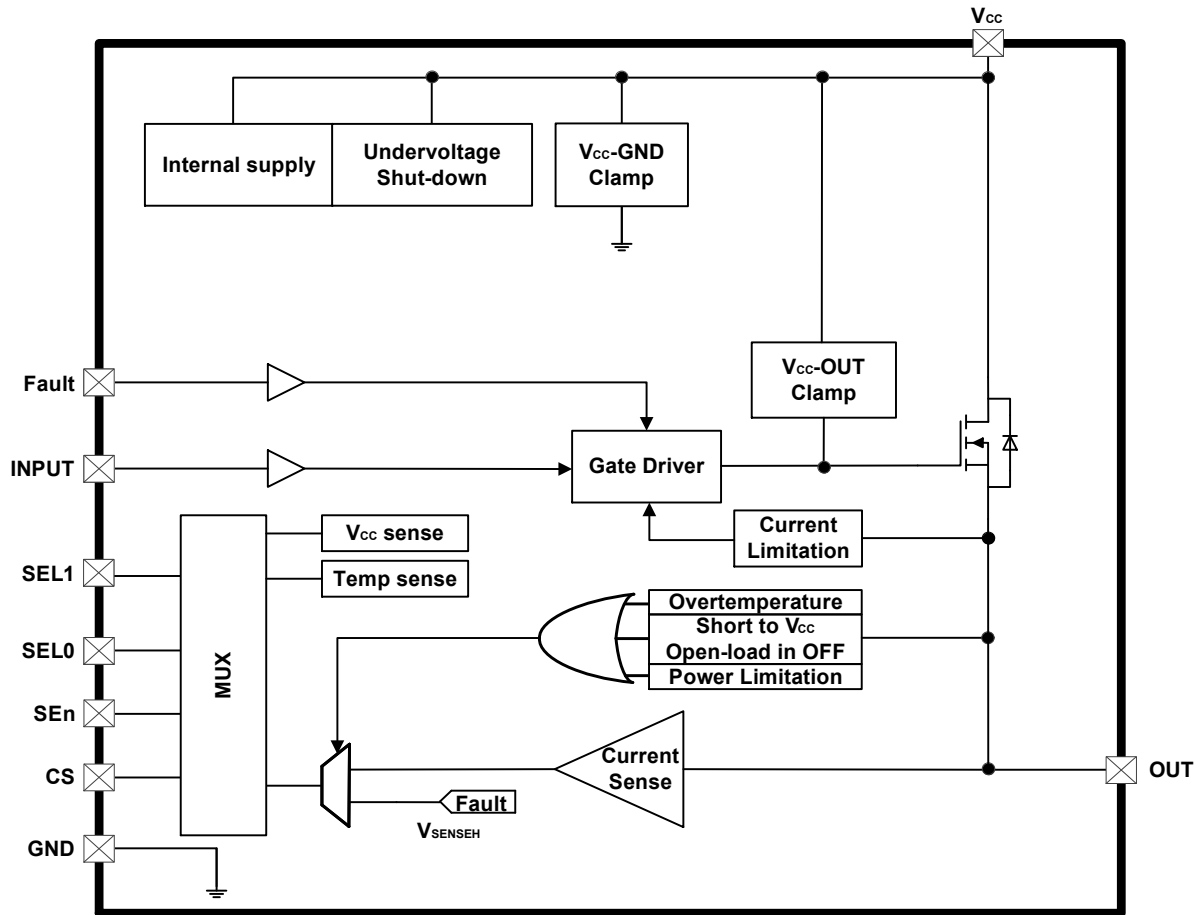
- 1) Not subject to production test - specified by design.
- 2) Maximum digital input voltage to be considered for Latch-Up tests: 5.5 V.
- 3) ESD susceptibility, Human Body Model "HBM", according to AEC Q100-002.
- 4) ESD susceptibility, Charged Device Model "CDM", according to AEC Q100-011.

Thermal Resistance (Note5)

Symbol	Parameter	Value	Unit
T _{JC}	Thermal Resistance Junction-to-Case	1.3	°C/W
T _{JA}	Junction-to-Ambient Thermal Resistance	28	°C/W

Note5: According to JEDEC JESD51-2,-5,-7 at natural convection on FR4 2s2p board; the Product (Chip + Package) was simulated on a 76.2 × 114.3 × 1.5 mm board with 2 inner copper layers (2 × 70 μm Cu, 2 × 35 μm Cu). Where applicable a thermal via array under the exposed pad contacted the first inner copper layer.

Functional Block



Electrical Characteristics (Note6)

Power section

Parameter	Symbol	Test Condition	Min.	Typ.	Max.	Unit
Operating supply voltage	V _{CC}		4.5	13	28	V
Under voltage shutdown	V _{USD}				4.5	V
Under voltage shutdown reset	V _{USDReset}				5	V
Under voltage shutdown hysteresis	V _{USDhyst}			0.3		V
On-state resistance	R _{ON}	I _{OUT} =3A, T _J = 25°C		30		mΩ
		I _{OUT} =3A, T _J =150°C			60	
		I _{OUT} =3A, V _{CC} =4.5V, T _J = 25°C			50	
Nominal load current	I _{L(NOM)}	T _A =25°C		7		A
Nominal load current at T _A =85°C	I _{L(NOM)_85}	T _A =85°C, T _J < 150°C		5.5		A
Inverse Current Capability	I _{L(INV)}	V _{CC} <V _{OUT} , V _{IN} =5V, T _A =25°C		7		A
V _{CC} clamp voltage	V _{clamp}	I _S =20 mA, 25°C < T _J < 150°C	35	42	48	V
		I _S =20 mA, T _J =-40°C	33			
Supply current in standby at V _{CC} = 13 V	I _{STBY}	V _{CC} = 13V, V _{IN} =V _{OUT} =V _{FR} =V _{SEn} =0V V _{SEL0,1} = 0 V, T _J =25°C			1.0	μA
		V _{CC} =13V, V _{IN} =V _{OUT} =V _{FR} =V _{SEn} =0V, V _{SEL0,1} = 0 V, T _J = 125°C			3.0	μA
Standby mode blanking time	t _{D_STBY}	V _{CC} =13V, V _{IN} =V _{OUT} =V _{FR} =V _{SEL0,1} =0V V _{SEn} =5 V to 0 V	100	400	800	us
Supply current	I _{S(ON)}	V _{CC} =13V, V _{SEn} =V _{FR} =V _{SEL0,1} =0V, V _{IN} =5V, I _{OUT} =0A		3.5	7	mA
Control stage current consumption in ON state	I _{GND(ON)}	V _{CC} =13V, V _{SEn} =5V, V _{FR} =V _{SEL0,1} =0V V _{IN} =5V, I _{OUT} =3A			7	mA
Off-state output current at V _{CC} =13V	I _{L(off)}	V _{IN} =V _{OUT} =0V, V _{CC} =13V, T _J =25°C	0	0.05	0.5	μA
		V _{IN} =V _{OUT} =0V, V _{CC} =13V, T _J =125°C	0		3.0	μA
Output - V _{CC} diode voltage at T _J =150°C	V _F	I _{OUT} =-0.2A, T _J =150°C			0.9	V

Switching/V_{CC} = 13 V, -40°C < T_J< 150°C, unless otherwise specified

Parameter	Symbol	Test Condition	Min.	Typ.	Max.	Unit
Turn-on delay time at T _J = 25°C	T _{d (on)}	R _L =4.3Ω	10	40	120	us
Turn-off delay time at T _J = 25°C	T _{d (off)}		10	75	120	us
Turn-on voltage slope at T _J = 25°C	(dV _{OUT} /dt) _{on}	R _L =4.3Ω	0.05	0.25	0.7	V/us
Turn-off voltage slope at T _J = 25°C	(dV _{OUT} /dt) _{off}		0.05	0.25	0.7	
Differential pulse skew(t _{PHL} - t _{PLH})	t _{SKEW}	R _L =4.3Ω	-90	-	60	us

Logic input (IN, Fault, SEL0,1, SEn)

Parameter	Symbol	Test Condition	Min.	Typ.	Max.	Unit
Logic input low level voltage	V _L				0.9	V
Low level logic input current	I _L	V _{INL} =0.9V	0.5			uA

Logic input high level voltage	V_H		2.1		6.0	V
High level logic input current	I_H	$V_{INH}=2.1V$			12	μA
Logic input hysteresis voltage	$V_{(hyst)}$		0.1	0.3	0.7	V

Protections ($7V < V_{CC} < 18V$, $-40^\circ C < T_j < 150^\circ C$)

Parameter	Symbol	Test Condition	Min.	Typ.	Max.	Unit
DC short circuit current	I_{LIMH}	$V_{CC}=13V$	12	24	36	A
		$4.5V < V_{CC} < 18V$			36	
Short circuit current during thermal cycling	I_{LIML}	$V_{CC}=13V, T_R < T_j < T_{TSD}$		9		
Shutdown temperature	T_{TSD}		150	175	200	$^\circ C$
Thermal hysteresis	T_{HYST}			20		$^\circ C$
Dynamic temperature	ΔT_{J_SD}	$T_j = -40^\circ C, V_{CC}=13V$		60		$^\circ C$
Current limit thermal hysteresis	T_R			40		$^\circ C$
Fault reset time for output unlatch	t_{LATCH_RST}	$V_{Fault}=5V$ to $0V, V_{SEN}=5V,$ $V_{IN}=5V, V_{SEL0}=V_{SEL1}=0V$	3	20	60	μs
Turn-off output voltage clamp	V_{DEMAG}	$I_{OUT}=2A, L=6mH, T_j = -40^\circ C$	$V_{CC}-33$			V
		$I_{OUT}=2A, L=6mH, T_j = 25^\circ C$ to $150^\circ C$	$V_{CC}-35$	$V_{CC}-38$	$V_{CC}-43$	

Current sense / $7V < V_{CC} < 18V$, $-40^\circ C < T_j < 150^\circ C$

Parameter	Symbol	Test Condition	Min.	Typ.	Max.	Unit
Current sense clamp voltage	V_{SENSE_CL}	$V_{SEN}=0V, I_{SENSE} = 1mA$		-15		V
		$V_{SEN}=0V, I_{SENSE} = -1mA$		7		

Chip temperature analog feedback

Parameter	Symbol	Test Condition	Min.	Typ.	Max.	Unit
CS output voltage proportional to chip temperature	V_{SENSE_TC}	$V_{SEN}=5V, V_{SEL0}=0V, V_{SEL1}=5V, V_{IN}=0V,$ $R_{SENSE}=1K, T_j = -40^\circ C$	2.325	2.42	2.495	V
		$V_{SEN}=5V, V_{SEL0}=0V, V_{SEL1}=5V, V_{IN}=0V,$ $R_{SENSE}=1K, T_j = 25^\circ C$	1.985	2.07	2.155	V
		$V_{SEN}=5V, V_{SEL0}=0V, V_{SEL1}=5V, V_{IN}=0V,$ $R_{SENSE}=1K, T_j = 150^\circ C$	1.285	1.35	1.425	V
Temperature coefficient	dV_{SENSE_TC}/dT	$T_j = -40^\circ C$ to $150^\circ C$		-5.50		mV/K

V_{CC} supply voltage analog feedback

Parameter	Symbol	Test Condition	Min.	Typ.	Max.	Unit
CS output voltage proportional to V_{CC} supply voltage	V_{SENSE_VCC}	$V_{CC}=13V, V_{SEN}=5V, V_{SEL0}=V_{SEL1}=5V,$ $V_{IN}=0V, R_{SENSE}=1K$	2.52	2.6	2.68	V
Transfer function		$V_{SENSE_VCC} = V_{CC} / 5$				

Current sense characteristics

Parameter	Symbol	Test Condition	Min.	Typ.	Max.	Unit
I_{OUT}/I_{SENSE}	K_1	$I_{OUT}=0.5A, V_{SEN}=5V$	-50%	2850	+50%	
I_{OUT}/I_{SENSE}	K_2	$I_{OUT}=1A, V_{SEN}=5V$	-30%	3150	+30%	

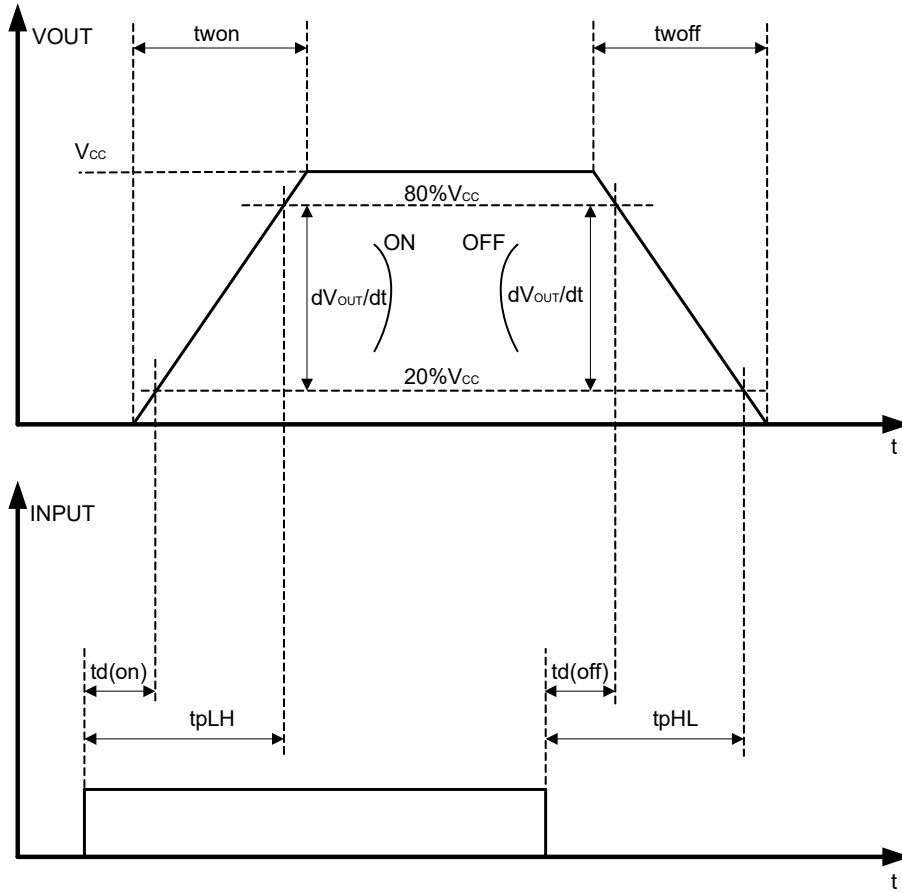
I _{OUT} /I _{SENSE}	K ₃	I _{OUT} =3A, V _{SEn} =5V	-15%	3350	+15%	
I _{OUT} /I _{SENSE}	K ₄	I _{OUT} =8A, V _{SEn} =5V	-10%	3450	+10%	
Current sense leakage current	I _{SENSE0}	CS disabled: V _{SEn} =0V	0		0.5	uA
		CS disabled: -1V<V _{SENSE} <5V	-0.5		3	
		CS enabled: V _{SEn} =5V, V _{IN} =5V, V _{SELO} =0V, V _{SEL1} =0V, I _{OUT} =0A	0		200	
		CS enabled: V _{SEn} =5V, V _{IN} =0V, V _{SELO} =0V, V _{SEL1} =0V, I _{OUT} =0A	0		2	
Output voltage for CS shutdown	V _{OUT_MSD}	V _{SEn} =5V, R _{SENSE} =2.7K, V _{IN} =5V; V _{SELO} =V _{SEL1} =0V, I _{OUT} =3A		5		V
CS saturation voltage	V _{SENSE_SAT}	V _{CC} =7V, R _{SENSE} =2.7K, V _{SEn} =5V, V _{IN} =5V, V _{SELO} =V _{SEL1} =0V, I _{OUT} =8A, T _j =150 °C	5			V
CS saturation current	I _{SENSE_SAT}	V _{CC} =7V, V _{SENSE} =4V, V _{IN} =5V, V _{SEn} =5V, V _{SELO} =V _{SEL1} =0V, T _j =150 °C	4			mA
Output saturation current	I _{OUT_SAT}	V _{CC} =7V, V _{SENSE} =4V, V _{IN} =5V, V _{SEn} =5V, V _{SELO} =V _{SEL1} =0V, T _j =150 °C	10			A
OFF-state diagnostic						
Parameter	Symbol	Test Condition	Min.	Typ.	Max.	Unit
OFF-state open load voltage detection threshold	V _{OL}	V _{SEn} =5V, V _{IN} =0V, V _{SELO} =V _{SEL1} =0V	2	3	4	V
OFF-state output sink current	I _{L(off2)}	V _{IN} =0V, V _{OUT} =V _{OL} , T _j =-40 °C to 150 °C	-450	-200	-80	uA
OFF-state diagnostic delay time from falling edge of INPUT	t _{DSTKON}	V _{SEn} =5V, V _{IN} =5V to 0V, V _{SELO} =V _{SEL1} =0V, V _{OUT} =4V, I _{OUT} =0A	100	350	700	us
Settling time for valid OFF-state open load diagnostic indication from rising edge of SE _n	t _{D_OL_V}	V _{IN} =0V, V _{FAULT} =0V, V _{SELO} =V _{SEL1} =0V, V _{OUT} =4V, V _{SEn} =0V to 5V			150	us
OFF-state diagnostic delay time from rising edge of V _{OUT}	t _{D_VOL}	V _{SEn} =5V, V _{IN} =0V, V _{SELO} =V _{SEL1} =0V, V _{OUT} =0V to 4V		5	30	us
Fault diagnostic feedback						
Parameter	Symbol	Test Condition	Min.	Typ.	Max.	Unit
Current sense output voltage in fault condition	V _{SENSEH}	V _{CC} =13V, R _{SENSE} =1K, V _{IN} =0V, V _{SEn} =5V, V _{SELO} =V _{SEL1} =0V, I _{OUT} =0A, V _{OUT} =4V	5.0	6.0	6.6	V
Current sense output current in fault condition	I _{SENSEH}	V _{CC} =13V, V _{SENSE} =5V	10	20	30	mA
Current sense timings						
Parameter	Symbol	Test Condition	Min.	Typ.	Max.	Unit
Current sense settling time from rising edge of SE _n	t _{DSENSE1H}	V _{IN} =5V, V _{SEn} =0V to 5V, R _{SENSE} =1K, R _L =4.3Ω			100	us
Current sense disable delay time from falling edge of SE _n	t _{DSENSE1L}	V _{IN} =5V, V _{SEn} =5V to 0V, R _{SENSE} =1K, R _L =4.3Ω		5	20	us
Current sense settling time from rising edge of INPUT	t _{DSENSE2H}	V _{IN} =0V to 5V, V _{SEn} =5V, R _{SENSE} =1K, R _L =4.3Ω		80	250	us

Current sense settling time from rising edge of I _{OUT} (dynamic response to a step change of I _{OUT})	$\Delta t_{DSENSE2H}$	V _{IN} =5V, V _{SEn} =5V, R _{SENSE} =1K, I _{SENSE} =90% of I _{SENSEMAX} , R _L =4.3Ω			150	us
Current sense turn-off delay time from falling edge of INPUT	t _{DSENSE2L}	V _{IN} =5V to 0V, V _{SEn} =5V, R _{SENSE} =1K, R _L =4.3Ω		80	250	us
V _{SENSE_TC} settling time from rising edge of SEn	t _{DSENSE3H}	V _{SEn} =0V to 5V, V _{SEL0} =0V, V _{SEL1} = 5V, R _{SENSE} =1K			60	us
V _{SENSE_TC} disable delay time from falling edge of SEn	t _{DSENSE3L}	V _{SEn} =5V to 0V, V _{SEL0} =0V, V _{SEL1} = 5V, R _{SENSE} =1K			20	us
V _{SENSE_VCC} settling time from rising edge of SEn	t _{DSENSE4H}	V _{SEn} =0V to 5V, V _{SEL0} =5V, V _{SEL1} = 5V, R _{SENSE} =1K			60	us
V _{SENSE_VCC} disable delay time from falling edge of SEn	t _{DSENSE4L}	V _{SEn} =5V to 0V, V _{SEL0} =5V, V _{SEL1} = 5V, R _{SENSE} =1K			20	us
Current sense transition delay from current sense to T _C sense	t _{D_CS to TC}	V _{IN} =5V, V _{SEn} =5V, V _{SEL0} =0V, V _{SEL1} =0V to 5V, I _{OUT} =1.5A, R _{SENSE} =1K			20	us
Current sense transition delay from T _C sense to current sense	t _{D_TC to CS}	V _{IN} =5V, V _{SEn} =5V, V _{SEL0} =0V, V _{SEL1} =5V to 0V, I _{OUT} =1.5A, R _{SENSE} =1K			100	us
Current sense transition delay from current sense to V _{CC} sense	t _{D_CS to VCC}	V _{IN} =5V, V _{SEn} =5V, V _{SEL0} =5V, V _{SEL1} =0V to 5V, I _{OUT} =1.5A, R _{SENSE} =1K			20	us
Current sense transition delay from V _{CC} sense to current sense	t _{D_VCC to CS}	V _{IN} =5V, V _{SEn} =5V, V _{SEL0} =5V, V _{SEL1} =5V to 0V, I _{OUT} =1.5A, R _{SENSE} =1K			100	us
Current sense transition delay from T _C sense to V _{CC} sense	t _{D_TC to VCC}	V _{CC} =13 V, V _{SEn} =5V, V _{SEL0} =0V to 5V, V _{SEL1} =5V, R _{SENSE} =1K			20	us
Current sense transition delay from V _{CC} sense to T _C sense	t _{D_VCC to TC}	V _{CC} =13V, V _{SEn} =5V, V _{SEL0} =5V to 0V, V _{SEL1} =5V; R _{SENSE} =1K			20	us

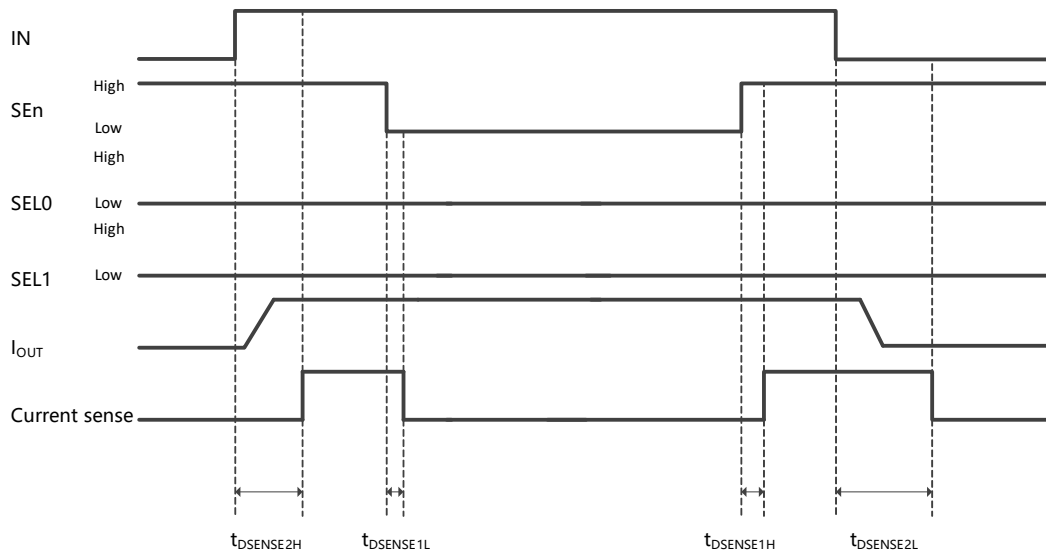
Note6: Except for the special test instructions, all electrical parameters are tested under T_A= +25°C. The minimum and maximum specification range of the specifications is guaranteed by the test, and the typical values are guaranteed by the design, test, or statistical analysis.

Switching Status and Timing Relationship

Switching time and pulse skew



Current sense timings (current sense mode)



T_{DSTKON}

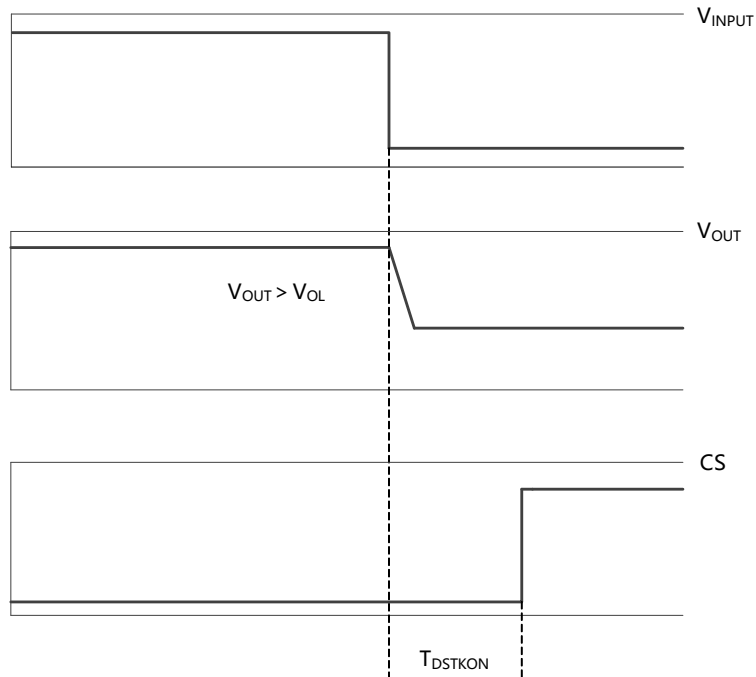


Table 2. Truth table

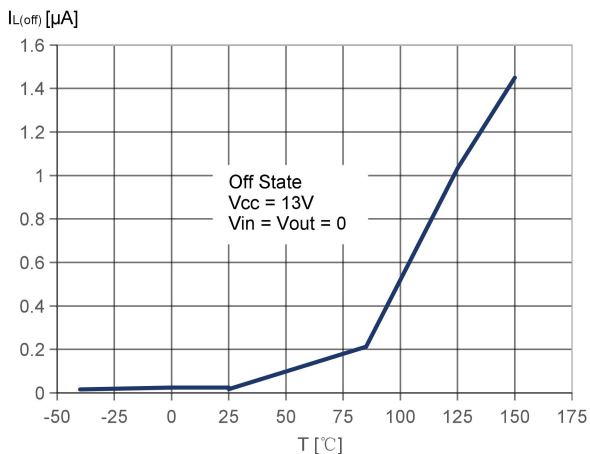
Mode	Conditions	IN	FR	SEn	SEL _x	OUT	Current sense	Comments
Standby	All logic INs low	L	L	L	L	L	Hi-Z	Low quiescent current consumption
Normal	Nominal load connected; $T_j < 150^\circ\text{C}$	L	X	See Table 3		L	See Table 3	
		H	L			H	See Table 3	Outputs configured for auto-restart
		H	H			H	See Table 3	Outputs configured for latch-off
Overload	Overload or short to GND causing: $T_j > T_{TSD}$ or $\Delta T_j > \Delta T_{j_SD}$	L	X	See Table 3		L	See Table 3	
		H	L			H	See Table 3	Output cycles with temperature hysteresis
		H	H			L	See Table 3	Output latches-off
Undervoltage	$V_{CC} < V_{USD}$	X	X	X		L	Hi-Z	Re-start when $V_{CC} > V_{USD} + V_{USDhyst}$ (rising)
OFF-state diagnostics	Short to V_{CC}	L	X	See Table 3		H	See Table 3	
	Open-Load	L	X			H	See Table 3	External pull-up
Negative output voltage	Inductive loads turn-off	L	X	See Table 3		<0	See Table 3	

Table 3. Current sense output

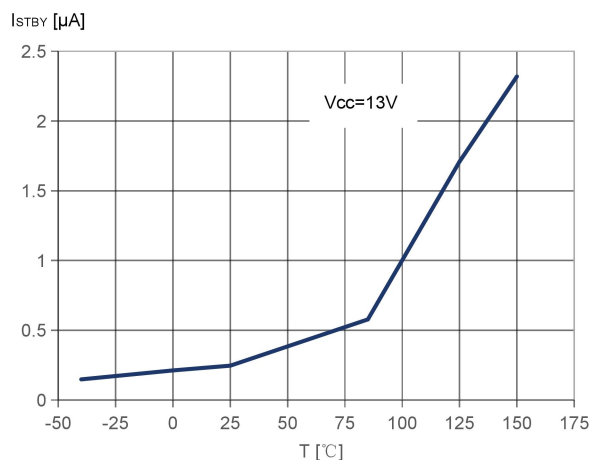
SEn	SEL1	SEL0	MUX Channel	Current sense output			
				Normal	Overload	OFF-state	Negative output
L	X	X		Hi-Z			
H	L	L	Channel diagnostic	$I_{SENSE} = I_{OUT}/K$	$V_{SENSE} = V_{SENSEH}$	$V_{SENSE} = V_{SENSEH}$	Hi-Z
H	L	H					
H	H	L	T_{CHIP} Sense	$V_{SENSE} = V_{SENSE_TC}$			
H	H	H	V_{CC} Sense	$V_{SENSE} = V_{SENSE_VCC}$			

Electrical Characteristics Curves

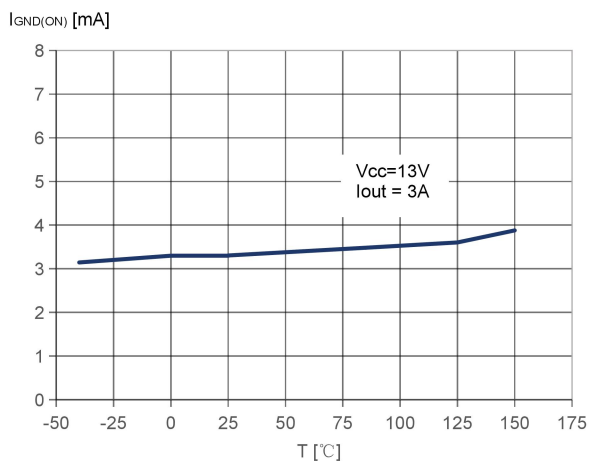
OFF-state output current



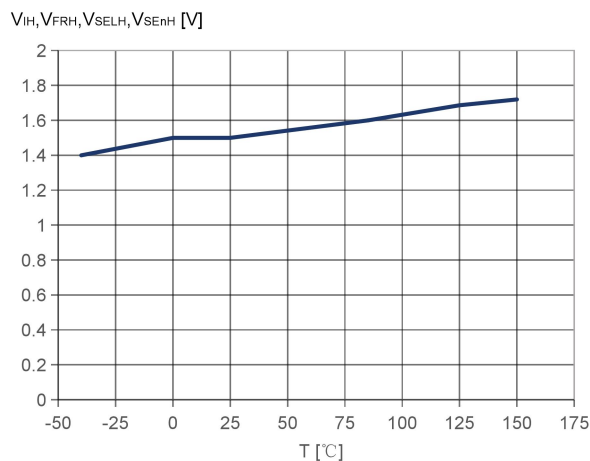
Standby current



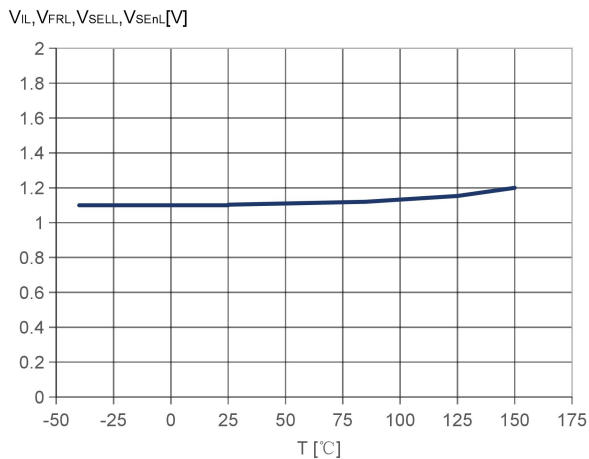
I_{GND(ON)} vs. T_A



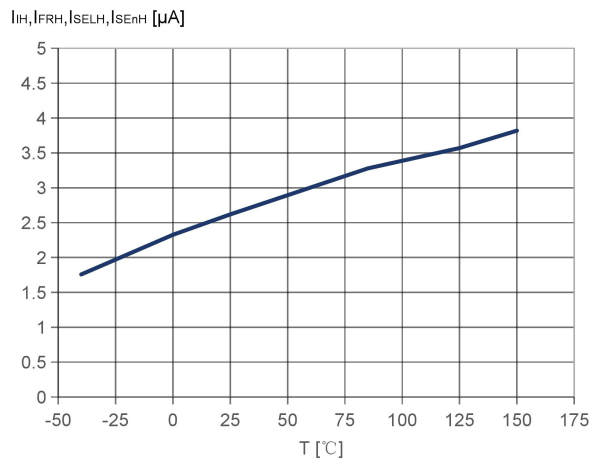
Logic Input high level voltage



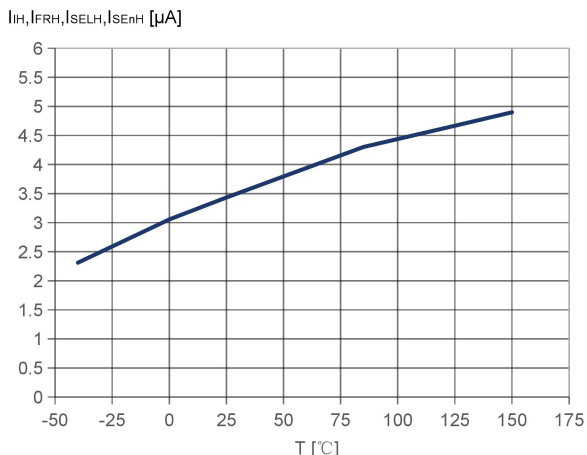
Logic Input Low level voltage



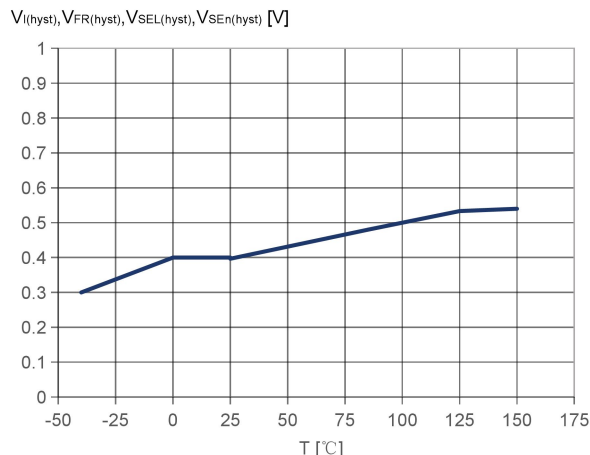
High level logic input current



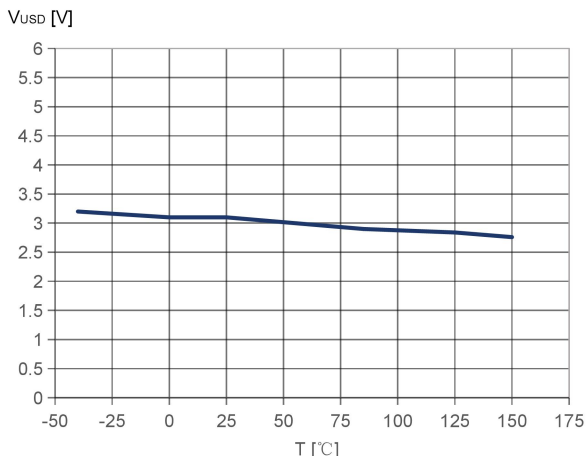
Low level logic input current



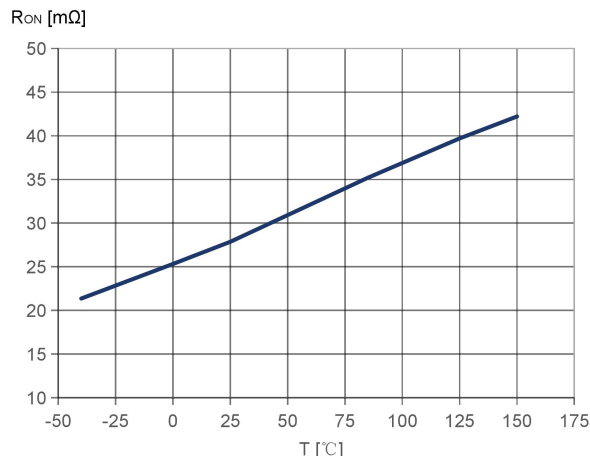
Logic Input hysteresis voltage



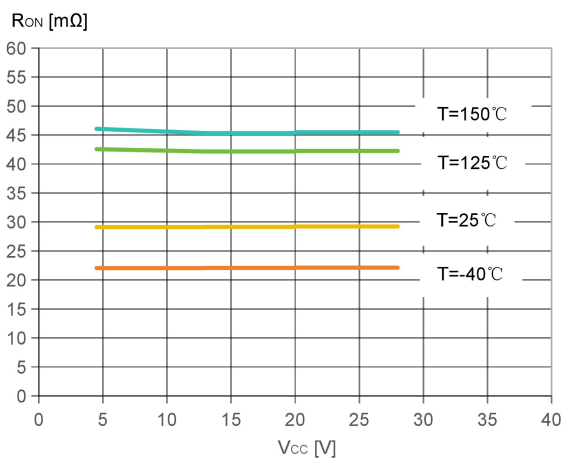
Undervoltage shutdown



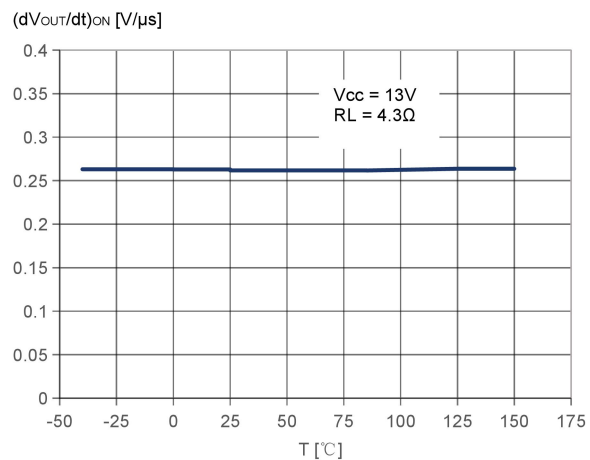
On-state resistance vs. TA



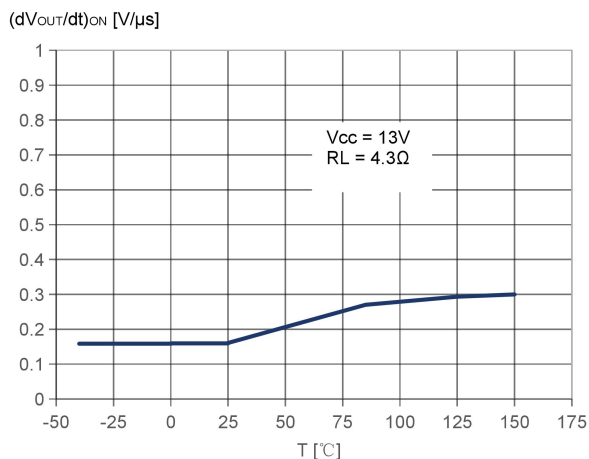
On-state resistance vs. TA



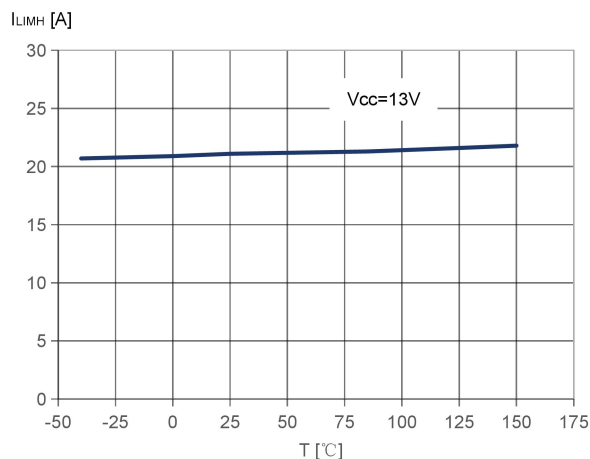
Turn-on voltage slope



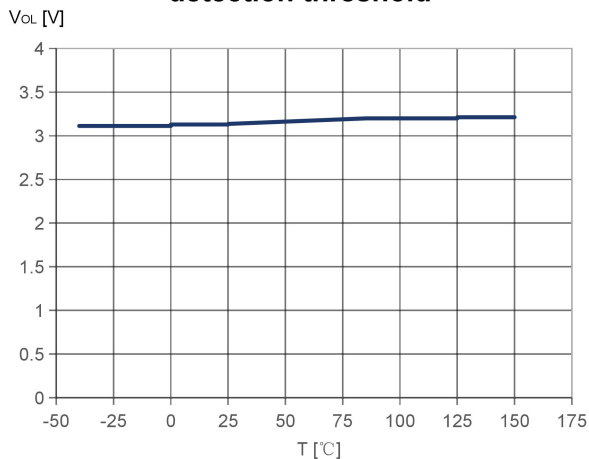
Turn-off voltage slope



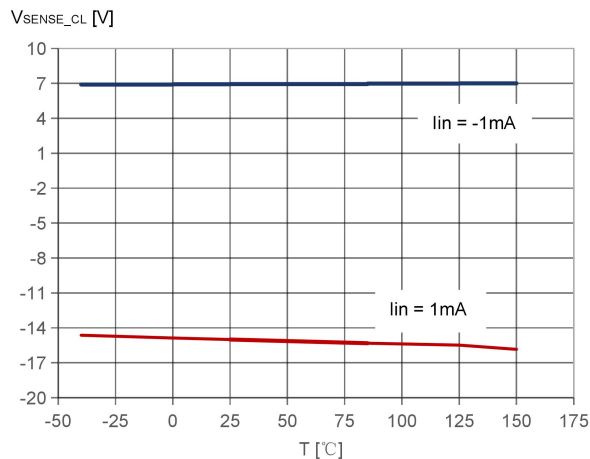
I_{LIMH} vs. T_A



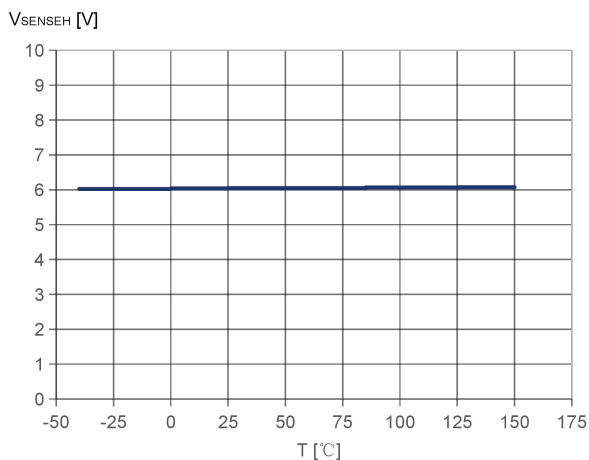
OFF-state open-load voltage detection threshold



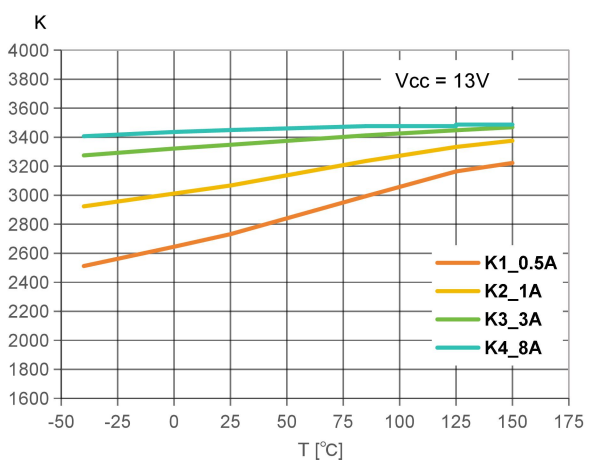
V_{SENSE_CLAMP} vs. T_A



V_{SENSEH} vs. T_A



I_{OUT}/I_{SENSE} vs. T_A



Functional Description

Power limitation

The basic working principle of this protection consists of an indirect measurement of the junction temperature swing ΔT_j through the direct measurement of the spatial temperature gradient on the device surface in order to automatically shut off the output MOSFET as soon as ΔT_j exceeds the safety level of $\Delta T_{j,SD}$. According to the voltage level on the Fault pin, the output MOSFET switches on and cycles with a thermal hysteresis according to the maximum instantaneous power which can be handled (Fault = Low) or remains off (Fault = High). The protection prevents fast thermal transient effects and, consequently, reduces thermo-mechanical fatigue.

Thermal shutdown

In case the junction temperature of the device exceeds the maximum allowed threshold (typically 175 °C), it automatically switches off and the diagnostic indication is triggered. According to the voltage level on the Fault pin, the device switches on again as soon as its junction temperature drops to T_R (Fault = Low) or remains off (Fault = High).

Current limitation

The device is equipped with an output current limiter in order to protect the silicon as well as the other components of the system (e.g. bonding wires, wiring harness, connectors, loads, etc.) from excessive current flow. Consequently, in case of short circuit, overload or during load power-up, the output current is clamped to a safety level, I_{LIMH} , by operating the output power MOSFET in the active region.

Negative voltage clamp

In case the device drives inductive load, the output voltage reaches a negative value during turn off. A negative voltage clamp structure limits the maximum negative voltage to a certain value, V_{DEMAG} , allowing the inductor energy to be dissipated without damaging the device.

Diode (D_{GND}) in the ground line

A resistor (typ. $R_{GND}=4.7K$) should be inserted in parallel to D_{GND} if the device drives an inductive load. This small signal diode can be safely shared amongst several different HSDs. Also in this case, the presence of the ground network produces a shift ($\approx 600mV$) in the input threshold and in the status output values if the microprocessor ground is not common to the device ground. This shift does not vary if more than one HSD shares the same diode/resistor network.

MCU I/Os protection

If a ground protection network is used and negative transients are present on the V_{CC} line, the control pins will be pulled negative. WS suggests to insert a resistor ($R_{prot}=15K$) in line both to prevent the micro-controller I/O pins from latching-up and to protect the HSD inputs. The value of these resistors is a compromise between the leakage current of micro-controller and the current required by the HSD I/Os (Input levels compatibility) with the latch-up limit of micro-controller I/Os.

CS - analog current sense

Diagnostic information on device and load status are provided by an analog output pin (CS) delivering the following signals:

- Current monitor: current mirror of channel output current
- V_{CC} monitor: voltage proportional to V_{CC}
- T_{CASE} : voltage proportional to chip temperature

Those signals are routed through an analog multiplexer which is configured and controlled by means of SELx and SEn pins, according to the address map in CS multiplexer addressing Table.

Current monitor

When current mode is selected in the CS, this output is capable to provide:

- Current mirror proportional to the load current in normal operation, delivering current proportional to the load according to known ratio named K
- Diagnostics flag in fault conditions delivering fixed voltage V_{SENSEH}

The current delivered by the current sense circuit, I_{SENSE} can be easily converted to a voltage V_{SENSE} by using an external sense resistor, R_{SENSE} , allowing continuous load monitoring and abnormal condition detection.

While device is operating in normal conditions (no fault intervention), V_{SENSE} calculation can be done using simple equations.

Current provided by CS output: $I_{SENSE} = I_{OUT}/K$

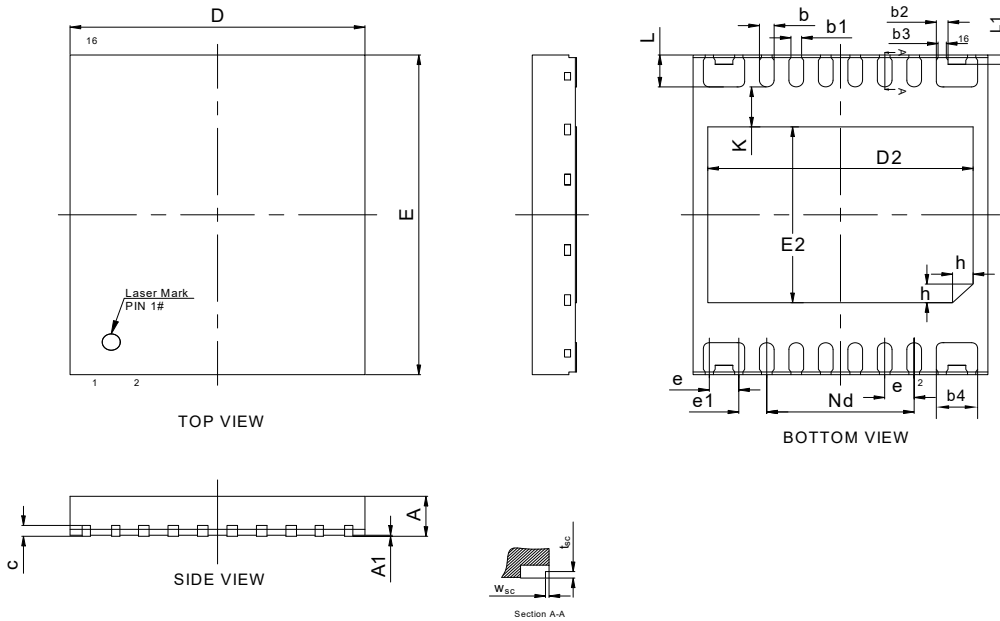
Voltage on R_{SENSE} : $V_{SENSE} = R_{SENSE} * I_{SENSE} = R_{SENSE} * I_{OUT}/K$

Where:

- V_{SENSE} is voltage measurable on R_{SENSE} resistor
- I_{SENSE} is current provided from CS pin in current output mode

Package Outline

DFN5×6-16L

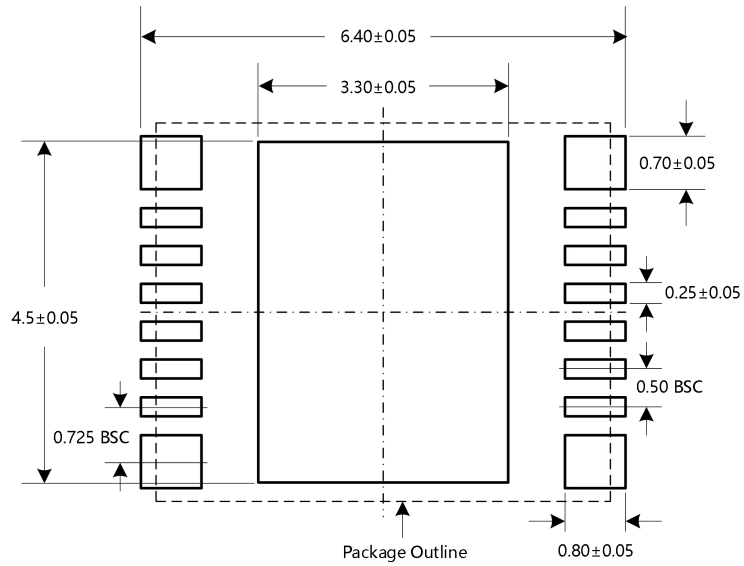


SYMBOL	MILLIMETER		
	MIN	NOM	MAX
A	0.70	0.75	0.80
A1	0	0.02	0.05
b	0.20	0.25	0.30
b1	0.18REF		
b2	0.15	0.20	0.25
b3	0.14REF		
b4	0.65	0.70	0.75
c	0.203REF		
D	4.90	5.00	5.10
D2	4.40	4.50	4.60
e	0.50BSC		
e1	0.475BSC		
Nd	2.50BSC		
E	5.90	6.00	6.10
E2	3.20	3.30	3.40
L	0.55	0.60	0.65
L1	0.16	0.21	0.26
h	0.30	0.35	0.40
K	0.75REF		
W _{sc}	0.01	-	0.09
t _{sc}	0.08	-	0.18

Soldering Footprint

DFN5×6-16L

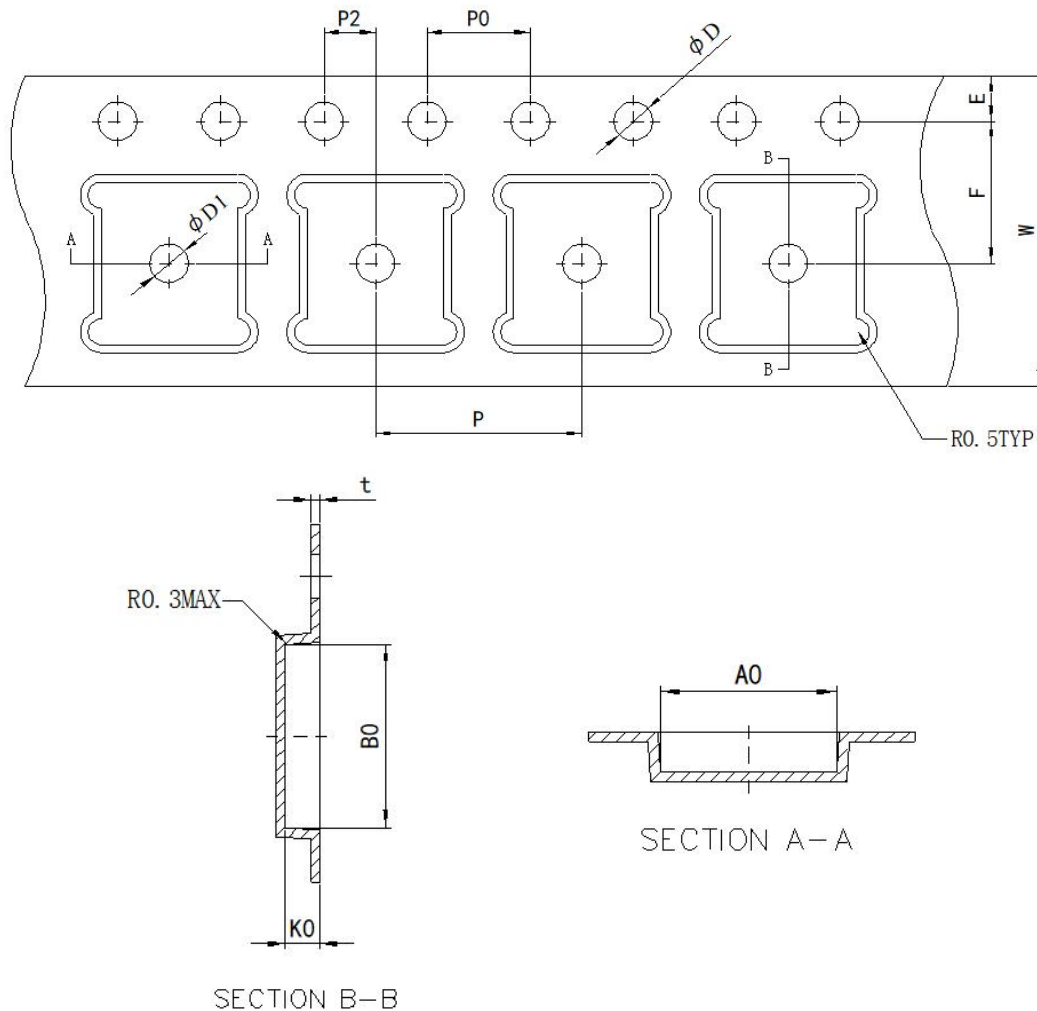
Unit: mm



Recommended Solder PAD Pitch AND Dimensions

Tape and Reel Information

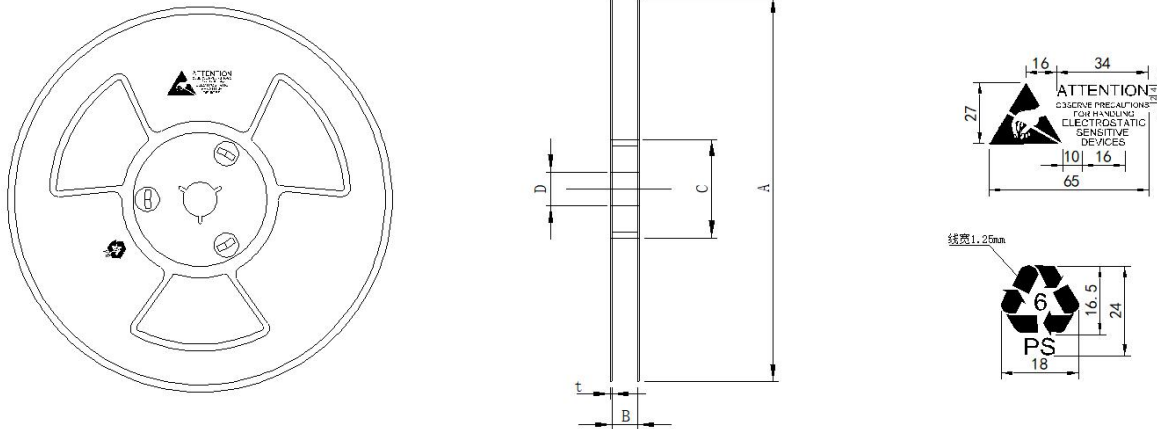
DFN5×6-16L Carrier tape



DFN5×6-16L Carrier Tape Dimensions

Description	Value (Unit: mm)
E	1.75±0.10
F	5.50±0.05
P ₂	2.00±0.05
D	1.50±0.1
D ₁	1.50 MIN
P ₀	4.00±0.10
W	12.00±0.1
P	8.00±0.10
A ₀	5.30±0.10
B ₀	6.30±0.10
K ₀	1.20±0.10

DFN5×6-16L Reel (13 ")



DFN5×6-16L Reel Dimensions

Description	Value (Unit: mm)
Carrier width	12
A	329±1
B	12.4+2
C	100±1
D	13.3±0.3
t	2.0±0.3

Tape and Reel Information

Package	Reel	QTY/Reel	Reel/Inner Box	Inner Box/Carton	QTY/Carton	Inner Box Size (mm)	Carton Size (mm)
DFN5×6-16L	13 "	3000	1	8	24000	336×336×48	420×355×365

CONTACT

Winsemi Microelectronics Co., Ltd.

ADD: Room 3101-3102, 31F, Building 8A, Shenzhen International Innovation Valley, Nanshan District, Shenzhen, P.R. China.

Post Code : 518040

Tel : 86-0755-82506288

Fax: 86-0755-82506299

Website : www.winsemi.com